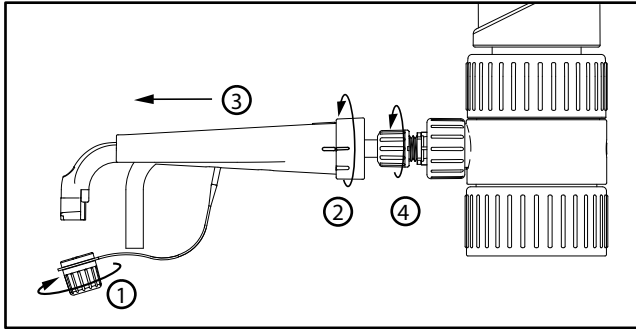


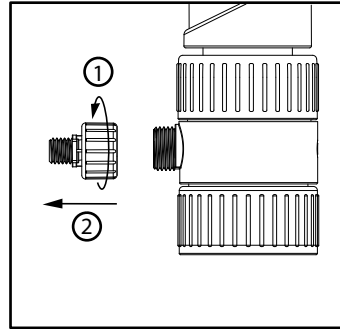
SOCOREX® CALIBREX™ 525 / 530

Flow Control Stopcock Mounting Instructions

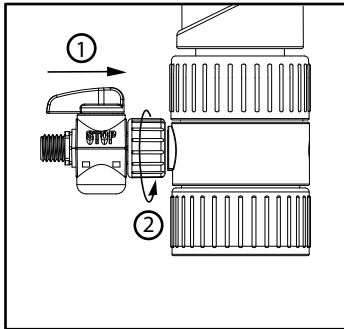
Assembling



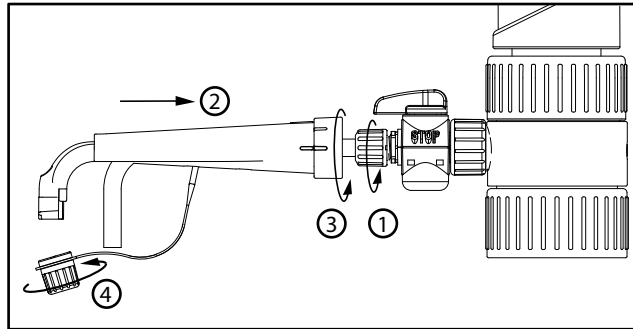
Remove delivery jet.



Remove connecting nut.

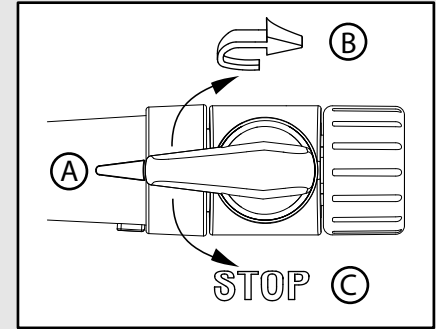


Stopcock assembly.



Delivery jet assembly.

Use



- (A) Dispensing position
- (B) Liquid priming and recycling
- (C) Locking position



Ordering

Description	Pack	Cat.no
Flow control stopcock fits mod. 525/530, fully autoclavable	1/pk	1.525.546

I.525FCE A314