

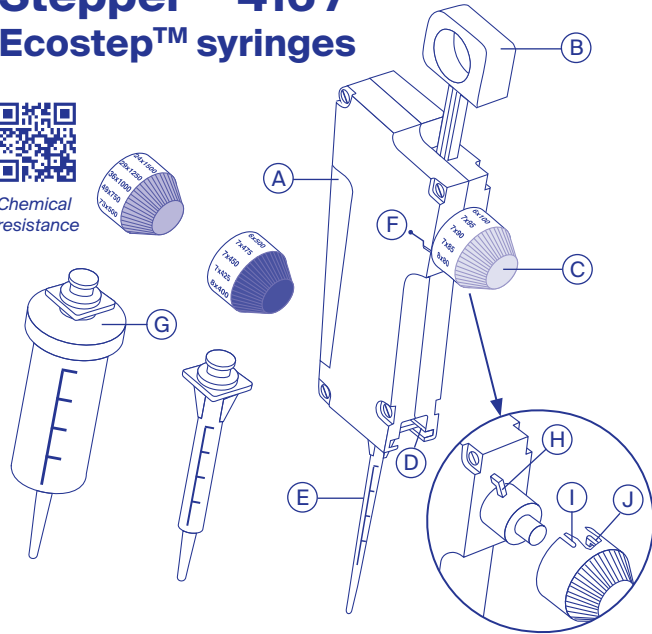
Quick Guide



Stepper™ 416 / Ecostep™ syringes



Chemical resistance



- A** Trigger **B** Rod **C** Setting knob **D** Recess **E** Ecostep™ syringe
- F** Setting mark **G** Adapter **H** Guide **I** Slot **J** Claw

	Related items	Capacity	Packaging	Cat. No.
Yellow	Ecotest™ 10 - 100 µL	0.75 mL	100 / pk	316.010
	Ecotest™ sterile** 10 - 100 µL	0.75 mL	50 / pk	316.010.9
Blue	Ecotest™ 50 - 500 µL	3.75 mL	100 / pk	316.050
	Ecotest™ sterile** 50 - 500 µL	3.75 mL	50 / pk	316.050.9
Red	Ecotest™ 500 - 5000 µL	37.5 mL	100 / pk*	316.500
	Ecotest™ sterile** 500 - 5000 µL	37.5 mL	50 / pk*	316.500.9
	Stand for Stepper™	-	1 / pk	320.411

* Includes 1 adapter for 37.5 mL red Ecotest™ syringe.

** Ecotest bioproof™ syringes are sterile, human DNA, DNase, RNase and pyrogen free.



Package contents

Stepper™ 416, 3 color coded setting knobs, adapter and Ecotest™ syringe samples, Quick Guide.

⚠ Safety precautions

- Read carefully and observe manufacturer's instructions and guidelines.
- Refer to and follow regulations about handling of potentially hazardous reagents.
- Before use, check instrument for good working conditions.
- Use only original Ecotest™ syringes.
- Use water or alcohol to clean instrument (do not use solvents such as acetone).
- Mind possible hand fatigue and its medical consequences.
- This product should be used only for its intended purpose.

Volume range and Ecotest™ syringe selection

	Capacity	Volume range
Yellow	0.75 mL	10 - 100 µL
Blue	3.75 mL	50 - 500 µL
Red	37.5 mL	500 - 5000 µL

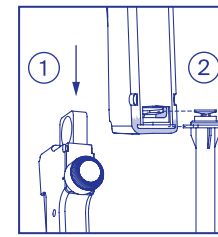
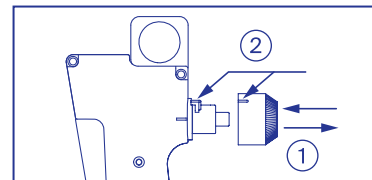
Volume and aliquot chart

	Number of aliquots	73						49						36						29						24						20						18						15						14						12						11						10						9						8						8						7						7						7						6					
		µL	10	15	20	25	30	35	40	45	50	55	60	65	70	75	80	85	90	95	100	µL	100	125	150	175	200	225	250	275	300	325	350	375	400	425	450	475	500	µL	500	750	1000	1250	1500	1750	2000	2250	2500	2750	3000	3250	3500	3750	4000	4250	4500	4750	5000																																																								
Yellow	µL	10	15	20	25	30	35	40	45	50	55	60	65	70	75	80	85	90	95	100	100	125	150	175	200	225	250	275	300	325	350	375	400	425	450	475	500	500	750	1000	1250	1500	1750	2000	2250	2500	2750	3000	3250	3500	3750	4000	4250	4500	4750	5000																																																											
Blue	µL	50	75	100	125	150	175	200	225	250	275	300	325	350	375	400	425	450	475	500	500	750	1000	1250	1500	1750	2000	2250	2500	2750	3000	3250	3500	3750	4000	4250	4500	4750	5000	5000	7500	10000	12500	15000	17500	20000	22500	25000	27500	30000	32500	35000	37500	40000	42500	45000	47500	50000																																																									
Red	µL	500	750	1000	1250	1500	1750	2000	2250	2500	2750	3000	3250	3500	3750	4000	4250	4500	4750	5000	5000	7500	10000	12500	15000	17500	20000	22500	25000	27500	30000	32500	35000	37500	40000	42500	45000	47500	50000	50000	75000	100000	125000	150000	175000	200000	225000	250000	275000	300000	325000	350000	375000	400000	425000	450000	475000	500000																																																									

Step-by-step instructions

Inserting setting knob

- 1) Pull to remove. 2) Insert guide into slot, push until click.



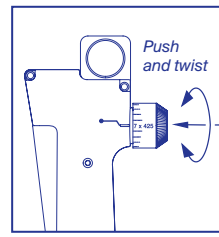
Inserting syringe

- 1) Slide rod down.
- 2) Insert syringe into recess.



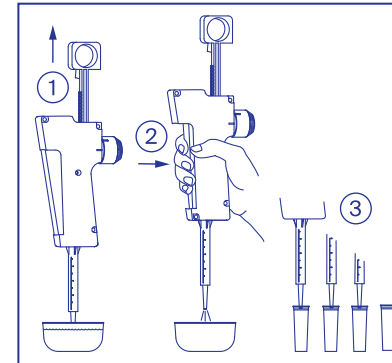
Fitting adapter for red syringe

- Adapter can be re-used. Do not throw away.
- Screw adapter on top of syringe first.



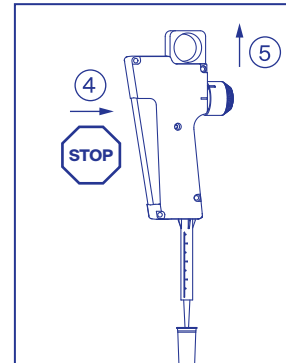
Volume setting

- Press knob and simultaneously rotate until volume scale and setting mark are even.



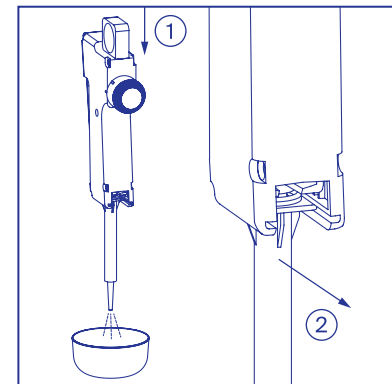
Filling and dispensing

- 1) Slowly pull rod upwards to aspirate liquid. Check absence of air bubble in liquid column.
- 2) Press trigger in full, discard first shot.
- 3) Depress trigger and release completely for each aliquot.



Automatic stop

- 4) Trigger auto-locks if remaining liquid is insufficient.
- 5) Pull rod upwards to re-aspirate liquid.



End of dosing

- 1) Push rod down to expel remaining liquid.
- 2) Slide syringe out of recess.

Scan to access operating instructions



EN / DE / FR