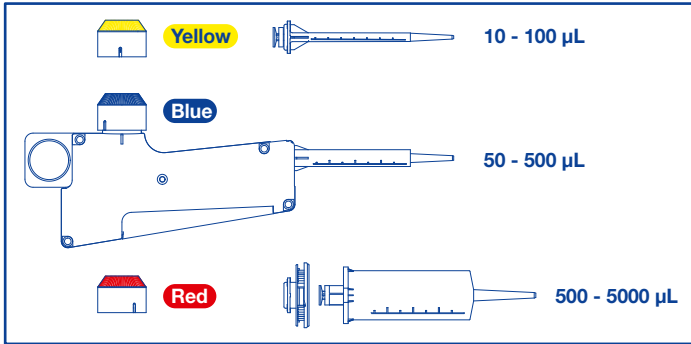


SOCOREX® REPEATER PIPETTE STEPPER™ 416

Quick Guide

Volume range and Ecostep™ syringe selection

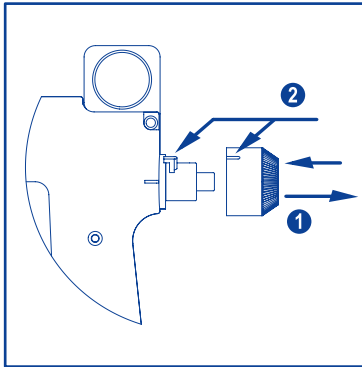


Select adequate syringe and corresponding setting knob.

Volume and aliquot chart

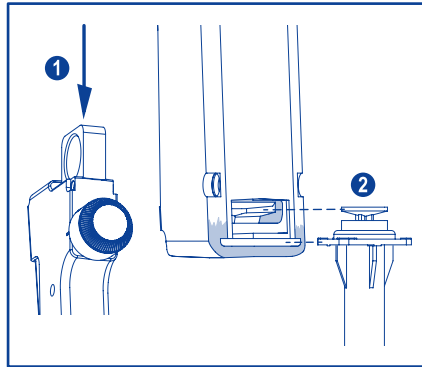
Aliquots	73	49	36	29	24	20	18	15	14	12	11	10	9	8	6	7	7	6	
µL	10	15	20	25	30	35	40	45	50	55	60	65	70	75	80	85	90	95	100
µL	50	75	100	125	150	175	200	225	250	275	300	325	350	400	425	450	475	500	
µL	500	750	1000	1250	1500	1750	2000	2250	2500	2750	3000	3250	3500	4000	4250	4500	4750	5000	

Inserting and removing setting knob



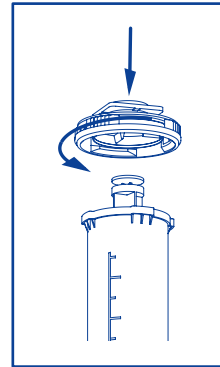
Pull to remove ①. Insert guide into slot, push until click ②.

Inserting and removing syringe



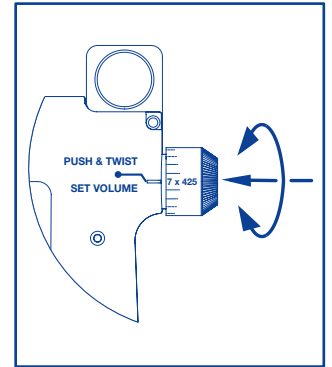
Slide rod down ①. Insert syringe into recess ②.

Adapter for red syringe



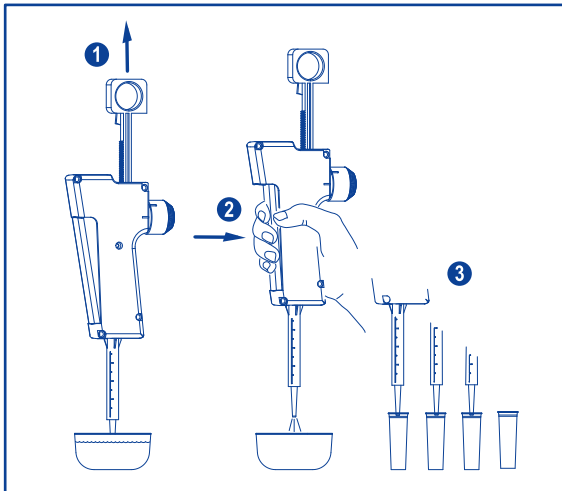
Screw adapter on top of syringe first. Adapter can be re-used. Do not throw away.

Volume setting



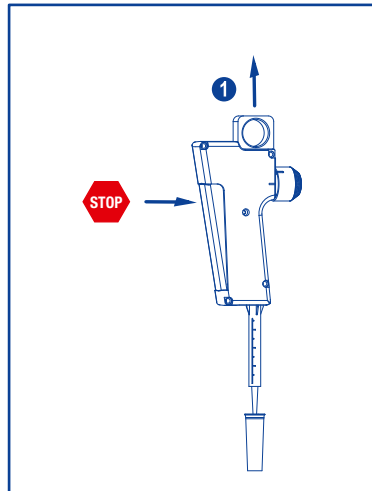
Press knob and simultaneously rotate until volume scale and setting mark are even.

Filling and dispensing



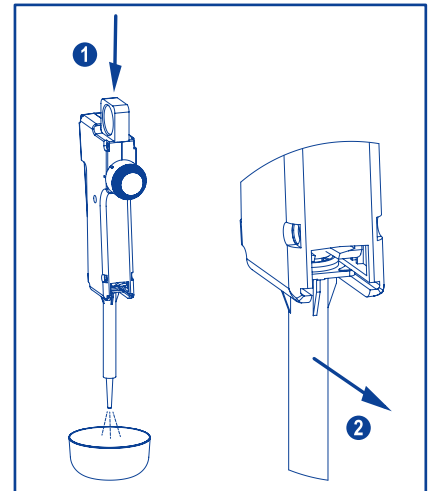
Slowly pull rod upwards to aspirate liquid ①. Check absence of air bubble in liquid column. Press trigger in full, discard first shot ②. Depress trigger until stop and release completely for each aliquot ③.

Automatic stop



Trigger self-locking when remaining liquid is insufficient. Pull rod upwards to aspirate liquid ①.

End of dosing



Push rod down to empty remaining liquid ①. Slide syringe out of recess ②.