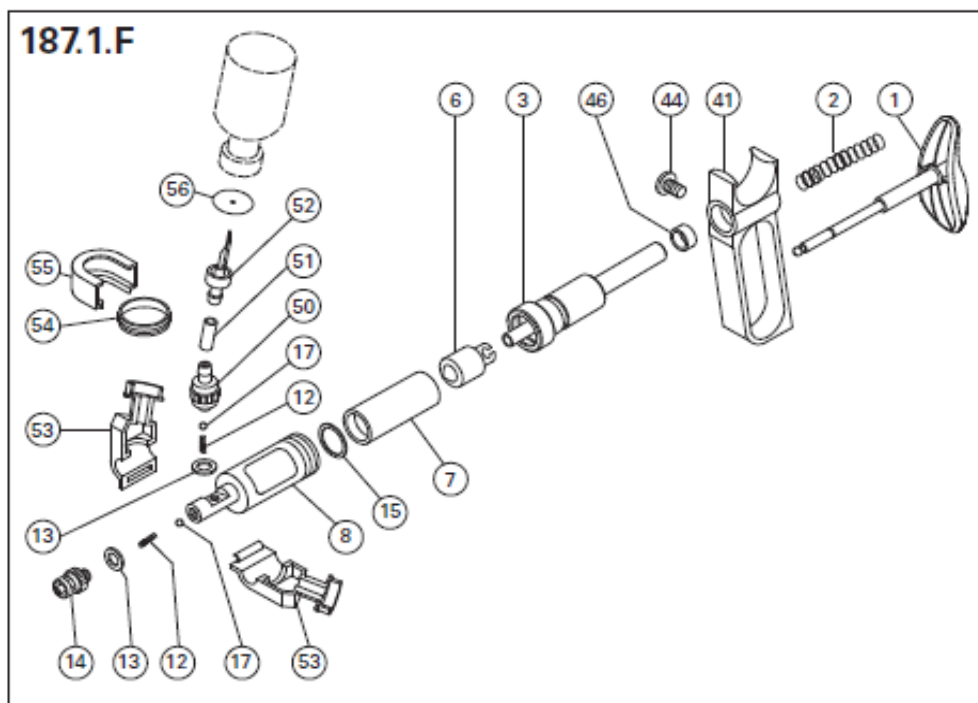
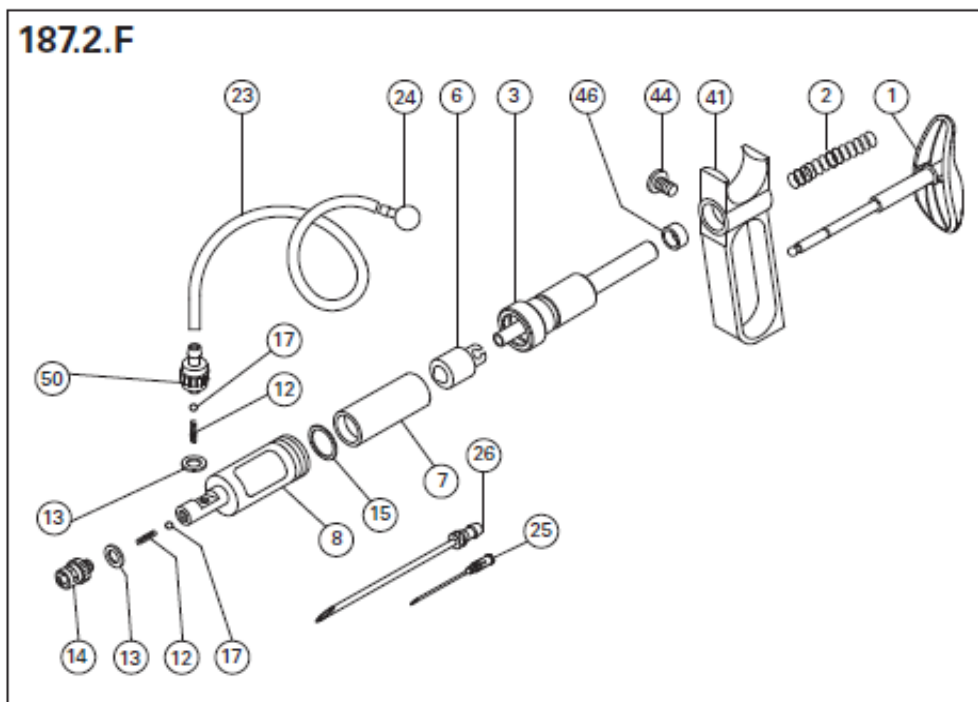


# Spare-parts for self-refilling syringes 187F

## Exploded drawing



Draw ref.	Cat. No.	Description	Comment	Nominal size
<b>Spare parts for self-refilling syringe 187F</b>				
<b># 01</b>	187.940	Plunger rod blue		0.2 to 0.5 mL
	187.941			1 mL
<b># 02</b>	187.751	Spring valve		0.2 to 1 mL

# 03	187.4620	Socket (incl. part 46)		0.2 mL
	187.4630			0.3 mL
	187.4650			0.5 mL
	187.4710			1 mL
# 06	187.585	Plunger, piston	Stainless steel	0.2 to 0.5 mL
	187.586			1 mL
# 07	0187.002F	Barrel (6 pces)	Glass	0.2 mL
	0187.003F			0.3 mL
	0187.01F			1 mL
	0187.02F			2 mL
# 08	187.502	Casing	Chrome plated brass	0.2 to 0.5 mL
	187.503			1 mL
# 12	187.981	Spring valve (10 pces)	<i>Available as a set</i>	
# 13	187.921	Washer, PTFE, (10 pces)	<i>Available as a set</i>	
# 14	705.010	Outlet nozzle valve, Luer Lock	Chrome plated brass	
	707.010	Outlet nozzle valve, Record Unifix		
	714.010	Outlet nozzle valve, Luer Linden, w/o locking nut		
	714.910	Outlet nozzle valve, Luer Linden, with locking nut		
	720.010	Outlet nozzle valve, Rotlauf		
	186.562	Outlet nozzle valve for Needle Guard (Sterimatic®), Luer Lock		
# 15	187.928	Washer, Viton (10 pces)	<i>Available as a set</i>	0.2 to 0.5 mL
	187.924			1 mL
# 17	187.991	Valve ball (10 pces)	<i>Available as a set</i>	
# 23	187.705	Feed tubing	1 meter / pk	
	187.910		10 meter / pk	
	187.710		by the meter	
# 24	187.596	Sinker	Chrome plated brass	
# 25	187.933	Vent cannula (10 pces)	Plastic	
# 26	187.592	Feed needle	Chrome plated brass	
# 41	187.560	Handle, blue		
# 44	187.701	Screw		
# 46	187.711	Sleeve, PTFE		
# 50	187.959	Intake valve	Chrome plated brass	
	187.613	Intake valve, Rotlauf threaded		
# 51	188.903	Connecting tube for vial holder model, silicone (10 pces)		
# 52	188.952	Intake needle (incl. part 51)		
# 53	187.950	Vial holder, blue (2 faces)		
# 54	188.513	Ring, vial holder		
# 55	187.740	Lock, vial holder, blue		
# 56	1.187.745	Tightness rubber washer, Ø 20 mm (10 pcs)		