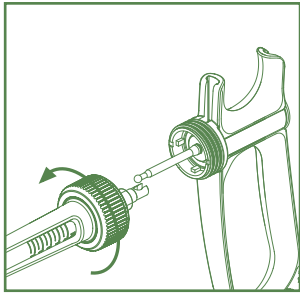


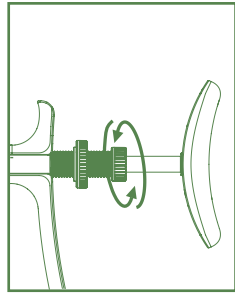
SOCOREX® SELF-REFILLING SYRINGE *ULTRA* 1810

Abacus™ Shot Counter – Instructions

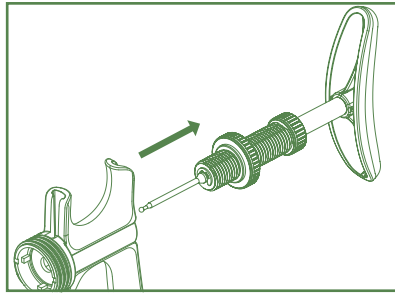
Disassembling



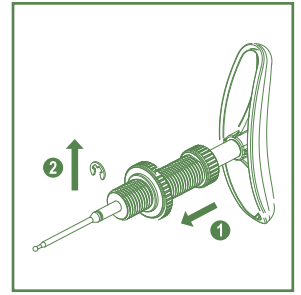
Unscrew nut and disassemble plunger rod from plunger.



Unscrew socket entirely.

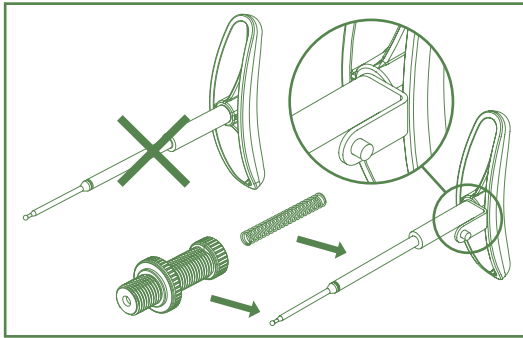


Remove from handle.

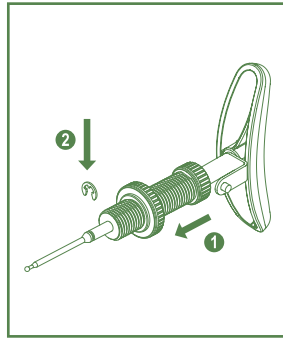


Remove clip in pushed position ①.

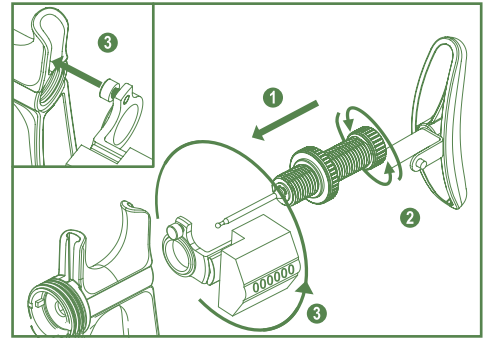
Reassembling with shot counter



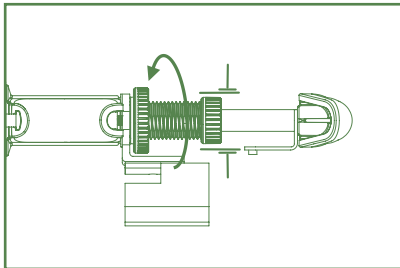
Assemble spring and socket on magnet-fitted plunger rod supplied.



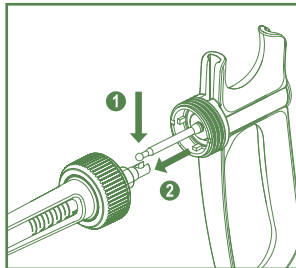
Insert clip in pushed position ①.



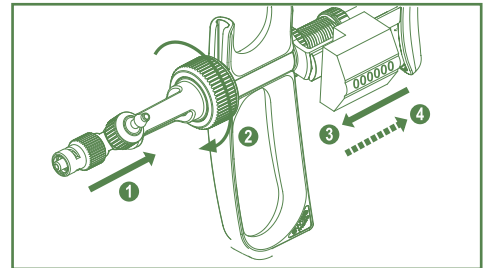
Place counter holder on socket ① and connect to handle ②. Mind counter orientation ③ (screw head fits upper handle recess).



Hold socket while locking ring.

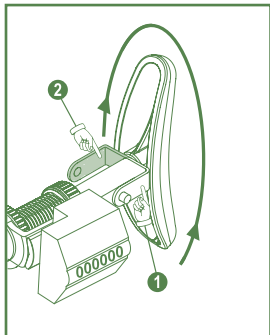


Connect plunger and rod.

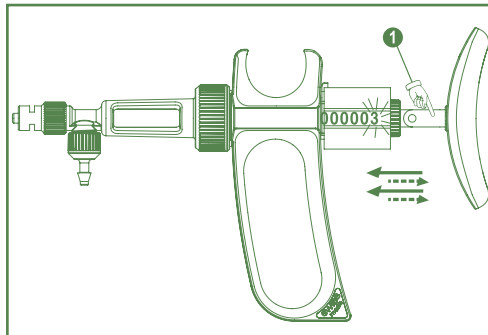


Connect body in pushed position.

Operating syringe with shot count



Choose magnet side turning plunger rod:
Position ①: shot counting.
Position ②: priming.



Activate plunger, each shot will increment counter figure if position ① chosen.

Note: Proceed to partial reset (round or given number) by means of any hand-held magnet.

Counter operation limits

Syringe model	Lowest possible volume setting
0.1 mL	0.03 mL
0.2 mL	0.05 mL
0.3 mL	0.1 mL
0.5 mL	0.1 mL

Ordering information

Description	Pack	Cat. No.
Shot counter* for 0.1 and 0.2 mL syringes	1/pk	1.1810.961
Shot counter* for 0.3 and 0.5 mL syringes	1/pk	1.1810.965

* Supplied with magnet-fitted plunger rod.



Abacus™ shot counter and magnet-fitted rod are not autoclavable.

I.1810ABAE - B1220